

CORE IC CUSHION

TOYOTA
INDUSTRIAL EQUIPMENT
REACH NEW HEIGHTS

3000 - 6500 LBS.

SPECIFICATIONS



8FGCU15-32 | 8FGCSU20

CLASS
4

INTERNAL COMBUSTION ENGINE CUSHION TIRE

ToyotaForklift.com

CORE IC CUSHION

CAPACITY
3000 - 6500 LBS.

WHEELBASE
48.2 - 58.5 IN.

LOAD CENTER
24 IN.

INDUSTRIES



Distribution



Factory



General
Manufacturing



General
Warehousing



Paper



Retail

STANDARD FEATURES

DURABILITY

- Control Area Network (CAN-bus) communication
- Fully stamped steel side panels
- Moisture-resistant electric connectors
- High cooling capacity radiator with fan shroud
- Low-maintenance battery
- Large-capacity engine-cooling fan
- 7" cyclone air cleaner with high positioned external air intake (6" dia. on 8FGCU15-18 & 8FGSU20)
- Plate-iron front fenders
- Anti-restart ignition key switch
- Stamped steel engine hood
- Fully sealed air intake system
- Self-adjusting brakes

SAFETY

- System of Active Stability™ (SAS)
- Operator Presence Sensing System (OPSS)
- Bolt-on overhead guard
- Key lowering interlock
- Electric horn
- Neutral start safety switch
- Asbestos-free components

PERFORMANCE

- EPA/CARB-certified engine
- Toyota 136 cu. in., 4-cylinder, OHV gasoline engine (4Y-ECS)
- Electronic fuel injection (gasoline only)
- UL "G" gasoline engine
- One-way automatic fork leveling
- Independent brake & inching pads
- Limited free-lift 2-stage mast (V)
- Integrated monitoring system – includes:
 - Digital hour meter display
 - Engine coolant temperature gauge
 - Fuel gauge (gasoline only)
 - Check engine light
 - Engine oil pressure warning light
 - Battery charge warning light
 - OPSS activation light
 - SAS/OPSS warning light
- Adjustable headlights with guards
- Foot-activated parking brake
- Alternator with built-in regulator
- Transistorized ignition assembly
- Automatic transmission with oil cooler
- Full-floating powertrain
- Hydraulic valve lifters
- Integrated headlight & turn signal lever
- Electric shift control

ERGONOMICS

- Dash-mounted instrument display
- 11.8"-dia. two-spoke steering wheel
- Heavy-duty non-slip rubber floor mat
- 12"-long dual operator assist grips
- Load-sensing hydrostatic power steering
- Cowl-mounted hydraulic control levers
- Low, wide entry steps
- Low-profile front cowl
- Non-cinching seatbelt
- Dash-integrated amenity tray & oversized cup holder
- Vinyl 4-way adjustable full-suspension seat
- Slim profile, tilt steering column

SERVICEABILITY

- Easy-access no tools required floorboard
- Engine hood assist damper with lock device
- Air cleaner discharge valve
- Externally mounted hydraulic oil return filter
- Dash-mounted brake fluid level check
- Easy-lift engine hood with wide 75° opening

OPTIONAL EQUIPMENT

- Travel speed/acceleration control system
- Multifunction digital display with self-diagnostics, engine protection system, eco-mode, & speed control (customer programmable)
- Hydraulic accumulator
- Intelli-Shift
- Orange seatbelt
- Rear assist grip with horn button
- Rustproof spec
- Mini-lever controls with ErgoShift
- Joystick controls with ErgoShift
- Swivel seat
- Synchronized steering
- High-mount rear combination lights
- LED front headlights
- LED rear combination lights
- 12-Volt power supply
- EZ Pedal (foot directional control)
- Plate fin radiator
- Radiator screen
- Fire extinguisher
- Front combination lights
- Steering wheel with knob
- Polished & tapered forks
- Integral & hang-on sidershifters
- Integral side shifting fork positioner
- Bottler's tilt
- LPG low-fuel warning light & alarm
- High-capacity 70-amp alternator with built-in regulator
- Strobe lights
- Step-mounted toolbox with cover
- Back up alarms
- Cloth 4-way adjustable full-suspension seat
- Combination brake & inching pedal
- Pre-cleaner for air intake
- Rearview mirrors
- Wide tread tires
- UL "GS" gasoline model
- 4Y-ECS high-power engine
- Fuel system configurations with swing-out tank bracket & one-touch latch system
 - UL-LP
 - UL-LPS
 - UL-LP/G dual fuel
 - UL-CNG/G dual fuel
- Swing-down LPG tank bracket
- Tilt cylinder boots



TRUCK SPECIFICATIONS

MODEL NUMBERS

GENERAL DATA				8FGCU15	8FGCU18	8FGCU20	8FGCSU20	
Load Capacity		lb (kg)		3000 (1350)	3500 (1600)	4000 (2000)	4000 (1800)	
Power Type				Gasoline	Gasoline	Gasoline	Gasoline	
Operator Position				Seated Rider	Seated Rider	Seated Rider	Seated Rider	
Tire Type		Front / Rear		Cushion / Cushion	Cushion / Cushion	Cushion / Cushion	Cushion / Cushion	
Wheels (x = driven)		Front / Rear		2x / 2	2x / 2	2x / 2	2x / 2	
EXTERIOR DIMENSIONS				8FGCU15	8FGCU18	8FGCU20	8FGCSU20	
A	Maximum Fork Height (top of forks)		in (mm)	131 (3335)	131 (3335)	131.5 (3340)	131.5 (3340)	
B	Free Lift (top of forks)		in (mm)	5.7 (145)	5.7 (145)	5.9 (150)	5.9 (145)	
C	Fork Size (T x W x L)		in (mm)	1.4 x 4 x 42 (35 x 100 x 1070)	1.4 x 4 x 42 (35 x 100 x 1070)	1.6 x 5 x 42 (40 x 125 x 1070)	1.6 x 5 x 42 (40 x 125 x 1070)	
D	Fork Spread Max. / Min. (outer edge to edge)		in (mm)	32 (810) / 8 (200)	32 (810) / 8 (200)	36 / 10 (920 / 250)	32 (810) / 10 (250)	
E	Tilt Range (forward / backward)		deg	6 / 10	6 / 10	6 / 10	6 / 10	
F	Length to Fork Face		in (mm)	82.3 (2090)	84.6 (2150)	91.2 (2315)	86.4 (2195)	
G	Overall Width		in (mm)	37.2 (945)	37.2 (945)	41.9 (1065)	37.2 (945)	
H	Mast Lowered Height		in (mm)	83.1 (2110)	83.1 (2110)	83.3 (2115)	83.1 (2110)	
I	Mast Extended Height (top of load backrest)		in (mm)	179.3 (4555)	179.3 (4555)	179.5 (4560)	179.5 (4560)	
J	Overhead Guard Height		in (mm)	80.1 (2035)	80.1 (2035)	80.7 (2050)	80.1 (2035)	
K	Turning Radius (inside / outside)		in (mm)	67.5 (1720)	70 (1780)	75.6 (1920)	71.3 (1810)	
L	Load Distance		in (mm)	15.7 (400)	15.7 (400)	16.7 (425)	16.3 (415)	
M	Rear Overhang		in (mm)	18.3 (465)	20.7 (525)	15.9 (405)	21.9 (555)	
N	Basic Right-Angle Stacking Aisle Width		in (mm)	83.5 (2120)	86 (2180)	92.3 (2345)	87.6 (2225)	
PERFORMANCE DATA				8FGCU15	8FGCU18	8FGCU20	8FGCSU20	
Speeds	Maximum Travel (forward / reverse)	Full Load	mph (km/h)	10.9 (17.5) / 10.9 (17.5)	10.9 (17.5) / 10.9 (17.5)	10.6 / 10.6 (17.0 / 17.0)	10.9 (17.5) / 10.9 (17.5)	
		No Load	mph (km/h)	10.9 (17.5) / 10.9 (17.5)	10.9 (17.5) / 10.9 (17.5)	10.6 / 10.6 (17.0 / 17.0)	10.9 (17.5) / 10.9 (17.5)	
	Lifting	Full Load	fpm (mm/sec)	110 (560)	110 (560)	120 (610)	110 (560)	
		No Load	fpm (mm/sec)	114 (580)	114 (580)	126 (640)	114 (580)	
	Lowering	Full Load	fpm (mm/sec)	98 (500)	98 (500)	98 (500)	98 (500)	
		No Load	fpm (mm/sec)	108 (550)	108 (550)	98 (500)	108 (550)	
Drawbar Pull	Maximum	Full Load	lb (kg)	3750 (1700)	3750 (1700)	4200 (18500)	3750 (1700)	
		No Load	lb (kg)	1550 (700)	1450 (650)	1850 (8300)	1450 (650)	
Gradeability	1 mph (1.5 km/h) ¹	Full Load	%	39	34	36	31	
		Maximum ¹	Full Load	%	43	40	36	35
			No Load	%	20	18	21	18
TRUCK WEIGHTS				8FGCU15	8FGCU18	8FGCU20	8FGCSU20	
Total Weight		lb (kg)		5890 (2670)	6410 (2910)	7130 (3240)	6900 (3130)	
Weight Distribution	Full Load (front / rear)		lb (kg)	7810 (3540) / 1080 (510)	8560 (4100) / 1350 (610)	9810 (4620) / 1320 (620)	9575 (4490) / 1325 (640)	
	No Load (front / rear)		lb (kg)	2340 (1060) / 3550 (1610)	2180 (990) / 4230 (1920)	3020 (1370) / 4110 (1870)	2200 (1000) / 4700 (2130)	
TIRES				8FGCU15	8FGCU18	8FGCU20	8FGCSU20	
Tires	Number (front / rear)			2 / 2	2 / 2	2 / 2	2 / 2	
	Size	Front		18 x 6 x 12-1/8	18 x 6 x 12-1/8	21 x 7 x 15	18 x 6 x 12-1/8	
		Rear		14 x 4-1/2 x 8	14 x 4-1/2 x 8	16 x 5 x 10-1/2	14 x 5 x 10	
Wheelbase		in (mm)		48.2 (1225)	48.2 (1225)	58.5 (1485)	48.2 (1225)	
Tread Width (front / rear)		in (mm)		31.3 (795) / 32.2 (820)	31.3 (795) / 32.2 (820)	35.0 (890) / 36.0 (915)	31.3 (795) / 32.2 (820)	
Underclearance (full load)	Minimum with Load		in (mm)	2.6 (65)	2.8 (70)	2.8 (70)	2.8 (70)	
	Center of Wheelbase		in (mm)	4.1 (105)	4.1 (105)	4.1 (105)	4.1 (105)	
Brake	Service (foot) / Parking			Hydraulic / Mechanical	Hydraulic / Mechanical	Hydraulic / Foot	Hydraulic / Mechanical	
POWER SYSTEM				8FGCU15	8FGCU18	8FGCU20	8FGCSU20	
Battery (5-hour rating)		V / Ah		12 / 48	12 / 48	12 / 48	12 / 48	
Internal Combustion Engine	Make / Model			TOYOTA 4Y - ECS	TOYOTA 4Y - ECS	TOYOTA 4Y - ECS	TOYOTA 4Y - ECS	
	Rated Horsepower @ rpm	SAE HP		48 @ 2250 Net	48 @ 2250 Net	51 @ 2570 Net	48 @ 2250 Net	
		(kW)		(36 @ 2250)	(36 @ 2250)	(38 @ 2250)	(36 @ 2250)	
	Rated Torque @ rpm	SAE ft-lb		118 @ 2100 Net	118 @ 2100 Net	118 @ 2100 Net	118 @ 2100 Net	
		(N-m)		(160 @ 2100)	(160 @ 2100)	(160 @ 2100)	(160 @ 2100)	
	Number of Cylinders				4	4	4	4
Piston Displacement		cu in (cc)		136 (2237)	136 (2237)	136 (2237)	136 (2237)	
Fuel Tank Capacity		US gal (liter)		7.1 (27)	7.1 (27)	11.9 (45)	7.1 (27)	
Transmission	Type			Powershift	Powershift	Powershift	Powershift	
	Speeds (forward / reverse)			1 / 1	1 / 1	1 / 1	1 / 1	
Auxiliary Hydraulic Function Specifications (for attachments) ²	Max. Operating Pressure		psi (kg/cm ²)	2275 (160)	2275 (160)	2275 (160)	2275 (160)	
	Max. Flow Rate		gpm (lpm)	16 (60.6)	16 (60.6)	20 (75.7)	16 (60.6)	

¹ Computed values. Performance of LPG fuel system may be less than performance of standard model shown.
² Values taken at Hydraulic Control Valve. Does not take in to consideration losses through mast plumbing (hosing, fittings, QDs, etc.).

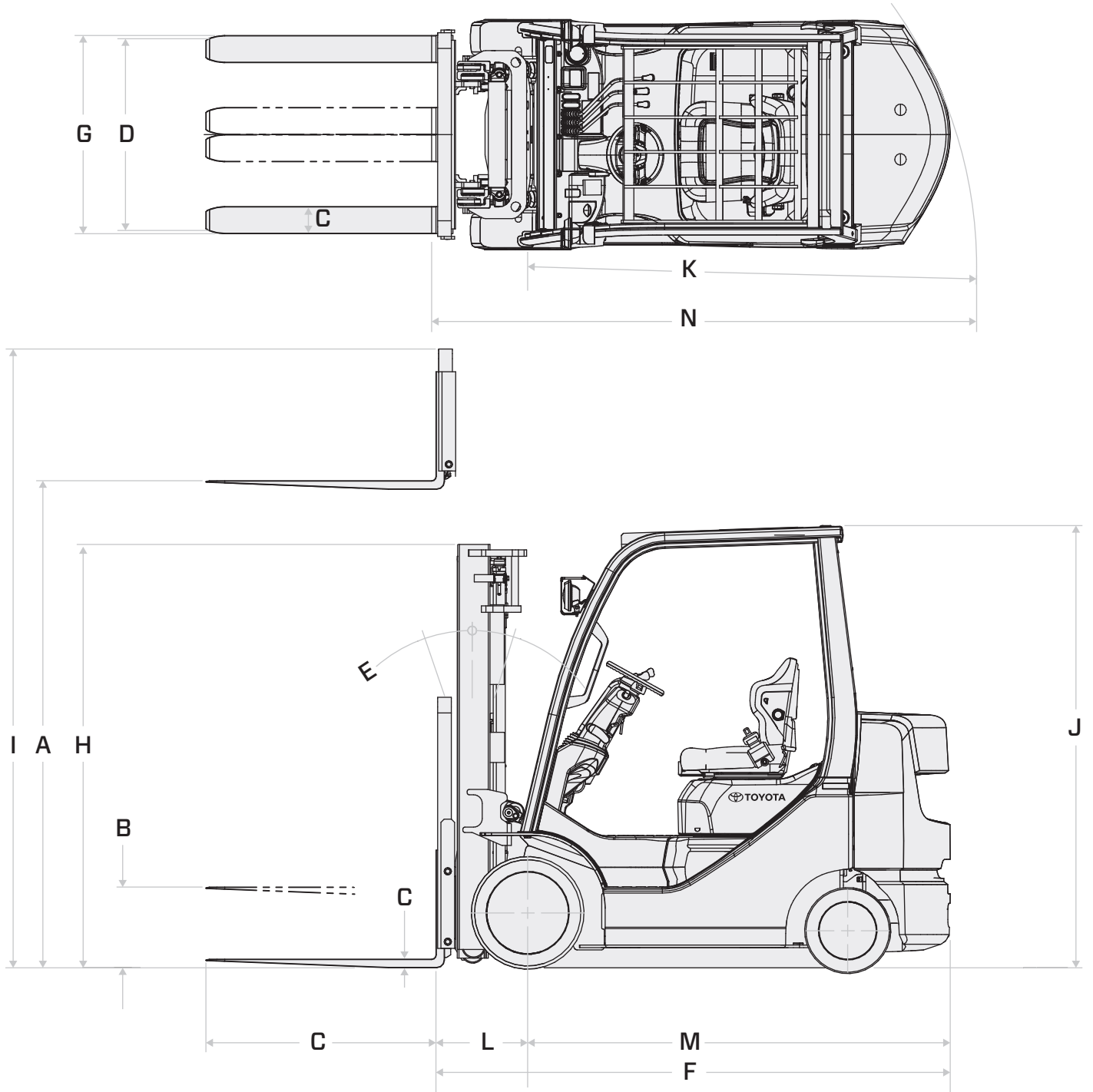
MODEL NUMBERS

GENERAL DATA				8FGCU25	8FGCU30	8FGCU32	
Load Capacity	lb (kg)			5000 (2250)	6000 (2700)	6500 (3000)	
Power Type				Gasoline	Gasoline	Gasoline	
Operator Position				Seated Rider	Seated Rider	Seated Rider	
Tire Type	Front / Rear	Cushion / Cushion			Cushion / Cushion	Cushion / Cushion	
Wheels (x = driven)	Front / Rear	2x / 2			2x / 2	2x / 2	
EXTERIOR DIMENSIONS				8FGCU25	8FGCU30	8FGCU32	
A Maximum Fork Height (top of forks)	in (mm)	131.5 (3340)			131.5 (3345)	131.5 (3345)	
B Free Lift (top of forks)	in (mm)	5.9 (150)			5.3 (135)	5.3 (135)	
C Fork Size (T x W x L)	in (mm)	1.6 x 5 x 42 (40 x 125 x 1070)			1.8 x 5 x 42 (45 x 125 x 1070)	1.8 x 5 x 42 (45 x 125 x 1070)	
D Fork Spread Max. / Min. (outer edge to edge)	in (mm)	36 (920) / 10 (250)			38.2 (970) / 10 (250)	38.2 (970) / 10 (250)	
E Tilt Range (forward / backward)	deg	6 / 10			6 / 10	6 / 10	
F Length to Fork Face	in (mm)	93.7 (2380)			97.4 (2475)	98.6 (2505)	
G Overall Width	in (mm)	41.9 (1065)			43.7 (1110)	43.7 (1110)	
H Mast Lowered Height	in (mm)	83.3 (2115)			83.1 (2110)	83.1 (2110)	
I Mast Extended Height (top of load backrest)	in (mm)	179.5 (4560)			179.7 (4565)	179.7 (4565)	
J Overhead Guard Height	in (mm)	80.7 (2050)			80.7 (2050)	80.7 (2050)	
K Turning Radius (inside / outside)	in (mm)	77.6 (1970)			80 (2030)	81.1 (2060)	
L Load Distance	in (mm)	16.7 (425)			17.7 (450)	17.7 (450)	
M Rear Overhang	in (mm)	18.5 (470)			21.3 (540)	22.4 (570)	
N Basic Right-Angle Stacking Aisle Width	in (mm)	94.3 (2395)			97.5 (2480)	98.8 (2510)	
PERFORMANCE DATA				8FGCU25	8FGCU30	8FGCU32	
Speeds	Maximum Travel (forward / reverse)	Full Load	mph (km/h)	10.6 (17.0) / 10.6 (17.0)	10.6 (17.0) / 10.6 (17.0)	10.6 (17.0) / 10.6 (17.0)	
		No Load	mph (km/h)	10.6 (17.0) / 10.6 (17.0)	10.6 (17.0) / 10.6 (17.0)	10.6 (17.0) / 10.6 (17.0)	
	Lifting	Full Load	fpm (mm/sec)	120 (610)	98 (500)	98 (500)	
		No Load	fpm (mm/sec)	126 (640)	104 (530)	104 (530)	
	Lowering	Full Load	fpm (mm/sec)	98 (500)	98 (500)	98 (500)	
		No Load	fpm (mm/sec)	98 (500)	98 (500)	98 (500)	
Drawbar Pull	Maximum	Full Load	lb (kg)	4200 (18500)	4200 (18500)	4200 (18500)	
		No Load	lb (kg)	1750 (7800)	1750 (7800)	1750 (7800)	
Gradeability	1 mph (1.5 km/h) ¹	Full Load	%	30	22	22	
		Maximum ¹	Full Load	%	31	25	25
			No Load	%	17	16	16
TRUCK WEIGHTS				8FGCU25	8FGCU30	8FGCU32	
Total Weight	lb (kg)			8000 (3630)	9300 (4200)	9700 (4410)	
Weight Distribution	Full Load (front / rear)	lb (kg)			11310 (5340) / 1690 (790)	13340 (6310) / 1960 (910)	14080 (6670) / 2120 (990)
	No Load (front / rear)	lb (kg)			2920 (1280) / 5180 (2350)	3070 (1390) / 6230 (2830)	2950 (1340) / 6750 (3070)
TIRES				8FGCU25	8FGCU30	8FGCU32	
Tires	Number (front / rear)			2 / 2	2 / 2	2 / 2	
	Size	Front	21 x 7 x 15			21 x 8 x 15	21 x 8 x 15
		Rear	16 x 5 x 10-1/2			16 x 6 x 10-1/2	16 x 6 x 10-1/2
Wheelbase	in (mm)			58.5 (1485)	58.5 (1485)	58.5 (1485)	
Tread Width (front / rear)	in (mm)			35.0 (890) / 36.0 (915)	35.8 (910) / 36.0 (915)	35.8 (910) / 36.0 (915)	
Underclearance (full load)	Minimum with Load	in (mm)			2.8 (70)	2.6 (65)	2.6 (65)
	Center of Wheelbase	in (mm)			4.1 (105)	4.1 (105)	4.1 (105)
Brake	Service (foot) / Parking			Hydraulic / Foot	Hydraulic / Foot	Hydraulic / Foot	
POWER SYSTEM				8FGCU25	8FGCU30	8FGCU32	
Battery (5-hour rating)	V / Ah			12 / 48	12 / 48	12 / 48	
Internal Combustion Engine	Make / Model			TOYOTA 4Y - ECS	TOYOTA 4Y - ECS	TOYOTA 4Y - ECS	
	Rated Horsepower @ rpm	SAE HP	51 @ 2570 Net			51 @ 2570 Net	51 @ 2570 Net
		(kW)	(38 @ 2570)			(38 @ 2570)	(38 @ 2570)
	Rated Torque @ rpm	SAE ft-lb	118 @ 2100 Net			118 @ 2100 Net	118 @ 2100 Net
		(N-m)	(160 @ 2100)			(160 @ 2100)	(160 @ 2100)
	Number of Cylinders	4			4	4	
Piston Displacement	cu in (cc)			136 (2237)	136 (2237)	136 (2237)	
Fuel Tank Capacity	US gal (liter)			11.9 (45)	11.9 (45)	11.9 (45)	
Transmission	Type			Powershift	Powershift	Powershift	
	Speeds (forward / reverse)			1 / 1	1 / 1	1 / 1	
Auxiliary Hydraulic Function Specifications (for attachments) ²	Max. Operating Pressure	psi (kg/cm ²)			2275 (160)	2275 (160)	2275 (160)
	Max. Flow Rate	gpm (lpm)			20 (75.7)	20 (75.7)	20 (75.7)

¹ Computed values. Performance of LPG fuel system may be less than performance of standard model shown.

² Values taken at Hydraulic Control Valve. Does not take in to consideration losses through mast plumbing (hosing, fittings, QDs, etc.).

EXTERIOR DIMENSIONS



MAST SPECIFICATIONS

MAST TYPE	MAXIMUM FORK HEIGHT (TOP OF FORKS)	OVERALL HEIGHT			FREE-LIFT		TILT RANGE		LOAD CAPACITY AT 24 IN. (610 MM) LOAD CENTER	
		LOWERED	EXTENDED		WITHOUT LOAD BACKREST	WITH STANDARD LOAD BACKREST	FWD	BWD	NARROW TREAD	WIDE TREAD
			WITHOUT LOAD BACKREST	WITH STANDARD LOAD BACKREST ¹						
in (mm)		in (mm)	in (mm)	in (mm)	in (mm)	in (mm)	deg	deg	lb (kg)	lb (kg)
8FGCU15										
Wide Visible (V)	80 (2035)	57.5 (1460)	101.2 (2570)	128.1 (3255)	5.7 (145)	5.7 (145)	6	5	3000 (1350)	3000 (1350)
	119 (3035)	77.2 (1960)	140.6 (2570)	167.5 (4255)	5.7 (145)	5.7 (145)	6	10	3000 (1350)	3000 (1350)
	131 (3335)	83.1 (2110)	152.4 (3870)	179.3 (4555)	5.7 (145)	5.7 (145)	6	10	3000 (1350)	3000 (1350)
	139 (3535)	87 (2210)	164.2 (4170)	187.2 (4755)	5.7 (145)	5.7 (145)	6	10	3000 (1350)	3000 (1350)
	147 (3735)	93.3 (2370)	168.1 (4270)	195.1 (4955)	5.7 (145)	5.7 (145)	6	10	3000 (1350)	3000 (1350)
Full Free-Lift 2-Stage (FV)	119 (3035)	77.2 (1960)	138.8 (3525)	167.5 (4255)	56.5 (1435)	29.2 (740)	6	10	3000 (1350)	3000 (1350)
	131 (3335)	83.1 (2110)	150.6 (3825)	179.3 (4555)	62.4 (1585)	35.1 (890)	6	10	3000 (1350)	3000 (1350)
	139 (3535)	87 (2210)	158.5 (4025)	187.2 (4755)	66.4 (1685)	39 (990)	6	10	3000 (1350)	3000 (1350)
Full Free-Lift 3-Stage (FSV)	158.5 (4035)	73.2 (1860)	179.7 (4565)	206.9 (5255)	52.8 (1340)	25.2 (640)	6	5	3000 (1350)	3000 (1350)
	170.5 (4335)	77.2 (1960)	191.5 (4865)	218.7 (5555)	56.7 (1440)	29.2 (740)	6	5	3000 (1350)	3000 (1350)
	189 (4800)	83.1 (2110)	209.4 (5320)	237 (6020)	62.6 (1590)	35.1 (890)	6	5	2950 (1325)	2950 (1325)
	198 (5035)	87 (2210)	219.1 (5565)	246.3 (6255)	66.5 (1690)	39 (990)	6	5	2850 (1300)	2850 (1300)
	217.5 (5535)	93.3 (2370)	238.8 (6065)	265.9 (6755)	72.8 (1850)	45.3 (1150)	6	5	2300 (1050)	2750 (1250)
237.5 (6035)	100.8 (2560)	258.5 (6565)	285.6 (7255)	80.3 (2040)	52.8 (1340)	6	5	1550 (700)	2200 (1000)	

MAST TYPE	MAXIMUM FORK HEIGHT (TOP OF FORKS)	OVERALL HEIGHT			FREE-LIFT		TILT RANGE		LOAD CAPACITY AT 24 IN. (610 MM) LOAD CENTER	
		LOWERED	EXTENDED		WITHOUT LOAD BACKREST	WITH STANDARD LOAD BACKREST	FWD	BWD	NARROW TREAD	WIDE TREAD
			WITHOUT LOAD BACKREST	WITH STANDARD LOAD BACKREST ¹						
in (mm)		in (mm)	in (mm)	in (mm)	in (mm)	in (mm)	deg	deg	lb (kg)	lb (kg)
8FGCU18										
Wide Visible (V)	80 (2035)	57.5 (1460)	101.2 (2570)	128.1 (3255)	5.7 (145)	5.7 (145)	6	5	3500 (1600)	3500 (1600)
	119 (3035)	77.2 (1960)	140.6 (2570)	167.5 (4255)	5.7 (145)	5.7 (145)	6	10	3500 (1600)	3500 (1600)
	131 (3335)	83.1 (2110)	152.4 (3870)	179.3 (4555)	5.7 (145)	5.7 (145)	6	10	3500 (1600)	3500 (1600)
	139 (3535)	87 (2210)	164.2 (4170)	187.2 (4755)	5.7 (145)	5.7 (145)	6	10	3500 (1600)	3500 (1600)
	147 (3735)	93.3 (2370)	168.1 (4270)	195.1 (4955)	5.7 (145)	5.7 (145)	6	10	3500 (1600)	3500 (1600)
Full Free-Lift 2-Stage (FV)	119 (3035)	77.2 (1960)	138.8 (3525)	167.5 (4255)	56.5 (1435)	29.2 (740)	6	10	3500 (1600)	3500 (1600)
	131 (3335)	83.1 (2110)	150.6 (3825)	179.3 (4555)	62.4 (1585)	35.1 (890)	6	10	3500 (1600)	3500 (1600)
	139 (3535)	87 (2210)	158.5 (4025)	187.2 (4755)	66.4 (1685)	39 (990)	6	10	3500 (1600)	3500 (1600)
Full Free-Lift 3-Stage (FSV)	158.5 (4035)	73.2 (1860)	179.7 (4565)	206.9 (5255)	52.8 (1340)	25.2 (640)	6	5	3500 (1600)	3500 (1600)
	170.5 (4335)	77.2 (1960)	191.5 (4865)	218.7 (5555)	56.7 (1440)	29.2 (740)	6	5	3500 (1600)	3500 (1600)
	189 (4800)	83.1 (2110)	209.4 (5320)	237 (6020)	62.6 (1590)	35.1 (890)	6	5	3250 (1450)	3250 (1450)
	198 (5035)	87 (2210)	219.1 (5565)	246.3 (6255)	66.5 (1690)	39 (990)	6	5	3200 (1450)	3200 (1450)
	217.5 (5535)	93.3 (2370)	238.8 (6065)	265.9 (6755)	72.8 (1850)	45.3 (1150)	6	5	2800 (1250)	2800 (1250)
237.5 (6035)	100.8 (2560)	258.5 (6565)	285.6 (7255)	80.3 (2040)	52.8 (1340)	6	5	1700 (750)	1700 (750)	

¹ Height of standard load backrest is 48" (1220 mm). Attachment capacities (including sideshifters) are located in Section 6.1 - Lifting Capacities for Options.

MAST SPECIFICATIONS

MAST TYPE	MAXIMUM FORK HEIGHT (TOP OF FORKS)	OVERALL HEIGHT			FREE-LIFT		TILT RANGE		LOAD CAPACITY AT 24 IN. (610 MM) LOAD CENTER	
		LOWERED	EXTENDED		WITHOUT LOAD BACKREST	WITH STANDARD LOAD BACKREST	FWD	BWD	NARROW TREAD	WIDE TREAD
			WITHOUT LOAD BACKREST	WITH STANDARD LOAD BACKREST ¹						
in (mm)										
8FGCU20										
Wide Visible (V)	80 (2040)	57.7 (1465)	105.9 (2690)	128.3 (3260)	5.9 (150)	5.9 (150)	6	8	4000 (1800)	4000 (1800)
	119.5 (3040)	77.4 (1965)	145.2 (3690)	167.7 (4260)	5.9 (150)	5.9 (150)	6	10	4000 (1800)	4000 (1800)
	131.5 (3340)	83.3 (2115)	157.1 (3990)	179.5 (4560)	5.9 (150)	5.9 (150)	6	10	4000 (1800)	4000 (1800)
	139 (3540)	87.2 (2215)	164.9 (4190)	187.4 (4760)	5.9 (150)	5.9 (150)	6	10	4000 (1800)	4000 (1800)
	147 (3740)	93.5 (2375)	173.8 (4390)	195.3 (4960)	5.9 (150)	5.9 (150)	6	10	4000 (1800)	4000 (1800)
Full Free-Lift 2-Stage (FV)	159 (4040)	101 (2565)	184.6 (4690)	207.1 (5260)	5.9 (150)	5.9 (150)	6	10	4000 (1800)	4000 (1800)
	119.5 (3040)	77.4 (1965)	143.5 (3645)	167.7 (4260)	53.6 (1360)	29.3 (745)	6	10	4000 (1800)	4000 (1800)
	131.5 (3340)	83.3 (2115)	155.3 (3945)	179.5 (4560)	59.5 (1510)	35.2 (895)	6	10	4000 (1800)	4000 (1800)
Full Free-Lift 3-Stage (FSV)	139 (3540)	87.2 (2215)	163.1 (4145)	187.4 (4760)	63.4 (1610)	39.2 (995)	6	10	4000 (1800)	4000 (1800)
	159 (4040)	73.2 (1860)	184.2 (4675)	207.1 (5260)	48.1 (1220)	25.2 (640)	6	5	4000 (1800)	4000 (1800)
	170.5 (4340)	77.2 (1960)	196 (4975)	218.9 (5560)	52 (1320)	29.1 (740)	6	5	4000 (1800)	4000 (1800)
	189 (4800)	83.1 (2110)	214.3 (5440)	237 (6020)	57.9 (1470)	35 (890)	6	5	3950 (1800)	3950 (1800)
	198 (5040)	87 (2210)	223.6 (5675)	246.5 (6260)	61.9 (1570)	39 (990)	6	5	3900 (1750)	3900 (1750)
	218 (5540)	93.3 (2370)	243.3 (6175)	266.1 (6760)	68.2 (1730)	45.3 (1150)	6	5	3550 (1600)	3800 (1700)
Full Free-Lift 4-Stage (QFV)	237.5 (6040)	100.8 (2560)	263 (6675)	285.8 (7260)	75.6 (1920)	52.8 (1340)	6	5	2800 (1250)	3350 (1500)
	241.5 (6135)	83.1 (2110)	262.6 (6670)	289.6 (7355)	62.1 (1575)	35 (890)	6	5	2500 (1150) ²	2900 (1300)
	259.5 (6595)	89 (2260)	280.7 (7130)	307.7 (7815)	68 (1725)	40.9 (1040)	6	5	1750 (800) ²	2500 (1150)
	278 (7055)	95.3 (2420)	298.8 (7590)	325.8 (8275)	74.3 (1885)	47.2 (1200)	6	5	950 (450) ²	1850 (850)

MAST TYPE	MAXIMUM FORK HEIGHT (TOP OF FORKS)	OVERALL HEIGHT			FREE-LIFT		TILT RANGE		LOAD CAPACITY AT 24 IN. (610 MM) LOAD CENTER
		LOWERED	EXTENDED		WITHOUT LOAD BACKREST	WITH STANDARD LOAD BACKREST	FWD	BWD	NARROW TREAD
			WITHOUT LOAD BACKREST	WITH STANDARD LOAD BACKREST ¹					lb (kg)
in (mm)									
8FGCSU20									
Wide Visible (V)	80 (2040)	57.5 (1460)	101.2 (2570)	128.3 (3255)	5.7 (145)	5.7 (145)	6	5	4000 (1800)
	119.5 (3040)	77.2 (1960)	140.6 (2570)	167.7 (4255)	5.7 (145)	5.7 (145)	6	10	4000 (1800)
	131.5 (3340)	83.1 (2115)	152.4 (3870)	179.5 (4555)	5.7 (145)	5.7 (145)	6	10	4000 (1800)
	139 (3540)	87 (2210)	164.2 (4170)	187.4 (4755)	5.7 (145)	5.7 (145)	6	10	4000 (1800)
	147 (3740)	93.3 (2370)	168.1 (4270)	195.3 (4955)	5.7 (145)	5.7 (145)	6	10	4000 (1800)
Full Free-Lift 2-Stage (FV)	119.5 (3040)	77.2 (1960)	138.8 (3525)	167.7 (4255)	56.5 (1435)	29.2 (740)	6	10	4000 (1800)
	131.5 (3340)	83.1 (2110)	150.6 (3825)	179.5 (4555)	62.4 (1585)	35.1 (890)	6	10	4000 (1800)
	139 (3540)	87 (2210)	158.5 (4025)	187.4 (4755)	66.4 (1685)	39 (990)	6	10	4000 (1800)
Full Free-Lift 3-Stage (FSV)	159 (4040)	73.2 (1860)	179.7 (4565)	207.1 (5255)	52.8 (1340)	25.2 (640)	6	5	4000 (1800)
	170.5 (4340)	77.2 (1960)	191.5 (4865)	218.9 (5555)	56.7 (1440)	29.2 (740)	6	5	4000 (1800)
	189 (4800)	83.1 (2110)	209.4 (5320)	237.2 (6020)	62.6 (1590)	35.1 (890)	6	5	3750 (1700)
	198 (5040)	87 (2210)	219.1 (5565)	246.5 (6255)	66.5 (1690)	39 (990)	6	5	3400 (1550)
	218 (5540)	93.3 (2370)	238.8 (6065)	266.1 (6755)	72.8 (1850)	45.3 (1150)	6	5	2400 (1100)
	237.5 (6040)	100.8 (2560)	258.5 (6565)	285.8 (7255)	80.3 (2040)	52.8 (1340)	6	5	1650 (750)

¹ Height of standard load backrest is 48" (1220 mm).

² TSDR only.

Attachment capacities (including sideshifters) are located in Section 6.1 - Lifting Capacities for Options.

MAST TYPE	MAXIMUM FORK HEIGHT (TOP OF FORKS)	OVERALL HEIGHT			FREE-LIFT		TILT RANGE		LOAD CAPACITY AT 24 IN. (610 MM) LOAD CENTER	
		LOWERED	EXTENDED		WITHOUT LOAD BACKREST	WITH STANDARD LOAD BACKREST	FWD	BWD	NARROW TREAD	WIDE TREAD
			WITHOUT LOAD BACKREST	WITH STANDARD LOAD BACKREST ¹						
in (mm)	in (mm)	in (mm)	in (mm)	in (mm)	in (mm)	deg	deg	lb (kg)	lb (kg)	
8FGCU25										
Wide Visible (V)	80 (2040)	57.7 (1465)	105.9 (2690)	128.3 (3260)	5.9 (150)	5.9 (150)	6	8	5000 (2250)	5000 (2250)
	119.5 (3040)	77.4 (1965)	145.2 (3690)	167.7 (4260)	5.9 (150)	5.9 (150)	6	10	5000 (2250)	5000 (2250)
	131.5 (3340)	83.3 (2115)	157.1 (3990)	179.5 (4560)	5.9 (150)	5.9 (150)	6	10	5000 (2250)	5000 (2250)
	139 (3540)	87.2 (2215)	164.9 (4190)	187.4 (4760)	5.9 (150)	5.9 (150)	6	10	5000 (2250)	5000 (2250)
	147 (3740)	93.5 (2375)	173.8 (4390)	195.3 (4960)	5.9 (150)	5.9 (150)	6	10	5000 (2250)	5000 (2250)
Full Free-Lift 2-Stage (FV)	159 (4040)	101 (2565)	184.6 (4690)	207.1 (5260)	5.9 (150)	5.9 (150)	6	10	5000 (2250)	5000 (2250)
	119.5 (3040)	77.4 (1965)	143.5 (3645)	167.7 (4260)	53.6 (1360)	29.3 (745)	6	10	5000 (2250)	5000 (2250)
	131.5 (3340)	83.3 (2115)	155.3 (3945)	179.5 (4560)	59.5 (1510)	35.2 (895)	6	10	5000 (2250)	5000 (2250)
Full Free-Lift 3-Stage (FSV)	139 (3540)	87.2 (2215)	163.1 (4145)	187.4 (4760)	63.4 (1610)	39.2 (995)	6	10	5000 (2250)	5000 (2250)
	159 (4040)	73.2 (1860)	184.2 (4675)	207.1 (5260)	48.1 (1220)	25.2 (640)	6	5	5000 (2250)	5000 (2250)
	170.5 (4340)	77.2 (1960)	196 (4975)	218.9 (5560)	52 (1320)	29.1 (740)	6	5	5000 (2250)	5000 (2250)
	189 (4800)	83.1 (2110)	214.3 (5440)	237 (6020)	57.9 (1470)	35 (890)	6	5	5000 (2250)	5000 (2250)
	198 (5040)	87 (2210)	223.6 (5675)	246.5 (6260)	61.9 (1570)	39 (990)	6	5	4600 (2100)	4600 (2100)
Full Free-Lift 4-Stage (QFV)	218 (5540)	93.3 (2370)	243.3 (6175)	266.1 (6760)	68.2 (1730)	45.3 (1150)	6	5	3850 (1750)	4550 (2050)
	237.5 (6040)	100.8 (2560)	263 (6675)	285.8 (7260)	75.6 (1920)	52.8 (1340)	6	5	2400 (1100)	3200 (1450)
	241.5 (6135)	83.1 (2110)	262.6 (6670)	289.6 (7355)	62.1 (1575)	35 (890)	6	5	2900 (1300) ²	3800 (1700)
	259.5 (6595)	89 (2260)	280.7 (7130)	307.7 (7815)	68 (1725)	40.9 (1040)	6	5	1950 (900) ²	2900 (1300)
	278 (7055)	95.3 (2420)	298.8 (7590)	325.8 (8275)	74.3 (1885)	47.2 (1200)	6	5	1300 (600) ²	1950 (900)

MAST TYPE	MAXIMUM FORK HEIGHT (TOP OF FORKS)	OVERALL HEIGHT			FREE-LIFT		TILT RANGE		LOAD CAPACITY AT 24 IN. (610 MM) LOAD CENTER	
		LOWERED	EXTENDED		WITHOUT LOAD BACKREST	WITH STANDARD LOAD BACKREST	FWD	BWD	NARROW TREAD	WIDE TREAD
			WITHOUT LOAD BACKREST	WITH STANDARD LOAD BACKREST ¹						
in (mm)	in (mm)	in (mm)	in (mm)	in (mm)	in (mm)	deg	deg	lb (kg)	lb (kg)	
8FGCU30										
Wide Visible (V)	80.5 (2045)	57.5 (1460)	107.9 (2740)	128.5 (3265)	5.3 (135)	5.3 (135)	6	8	6000 (2700)	6000 (2700)
	119.5 (3045)	77.2 (1960)	147.2 (3740)	167.9 (4265)	5.3 (135)	5.3 (135)	6	10	6000 (2700)	6000 (2700)
	131.5 (3345)	83.1 (2110)	159.1 (4040)	179.7 (4565)	5.3 (135)	5.3 (135)	6	10	6000 (2700)	6000 (2700)
	139.5 (3545)	87 (2210)	166.9 (4240)	187.6 (4765)	5.3 (135)	5.3 (135)	6	10	6000 (2700)	6000 (2700)
	147 (3745)	93.3 (2370)	174.8 (4440)	195.5 (4965)	5.3 (135)	5.3 (135)	6	10	6000 (2700)	6000 (2700)
Full Free-Lift 2-Stage (FV)	159 (4045)	100.8 (2560)	184.8 (4740)	207.3 (5265)	5.3 (135)	5.3 (135)	6	10	6000 (2700)	6000 (2700)
	119.5 (3045)	77.2 (1960)	143.9 (3655)	167.8 (4265)	53.2 (1350)	29.2 (740)	6	10	6000 (2700)	6000 (2700)
	131.5 (3345)	83.1 (2110)	155.7 (3955)	179.7 (4565)	59.1 (1500)	35.1 (890)	6	10	6000 (2700)	6000 (2700)
Full Free-Lift 3-Stage (FSV)	139.5 (3545)	87 (2210)	163.5 (4155)	187.5 (4765)	63 (1600)	39.1 (990)	6	10	6000 (2700)	6000 (2700)
	159 (4045)	77.2 (1960)	183.2 (4655)	207.2 (5265)	53.2 (1350)	29.2 (740)	6	5	6000 (2700)	6000 (2700)
	171 (4345)	83.1 (2110)	195 (4955)	219 (5565)	59.1 (1500)	35.1 (890)	6	5	6000 (2700)	6000 (2700)
	187 (4750)	87 (2210)	210.8 (5355)	234.8 (5965)	63 (1600)	39.1 (990)	6	5	6000 (2700)	6000 (2700)
	198.5 (5045)	93.3 (2370)	222.6 (5655)	246.6 (6265)	69.3 (1760)	45.4 (1150)	6	5	5900 (2650)	5900 (2650)
Full Free-Lift 4-Stage (QFV) ³	218 (5545)	100.8 (2560)	242.3 (6155)	266.3 (6765)	76.8 (1950)	52.8 (1340)	6	5	5300 (2400)	5600 (2550)
	237.5 (6045)	110.6 (2810)	262 (6655)	285.9 (7265)	86.7 (2200)	62.7 (1590)	6	5	4000 (1800)	5150 (2350)
	241.5 (6135)	83.1 (2110)	262.6 (6670)	289.6 (7355)	62.1 (1575)	35 (890)	6	5	3850 (1750) ²	4450 (2000)
	259.5 (6595)	89 (2260)	280.7 (7130)	307.7 (7815)	68 (1725)	40.9 (1040)	6	5	2650 (1200) ²	3250 (1450)
	278 (7055)	95.3 (2420)	298.8 (7590)	325.8 (8275)	74.3 (1885)	47.2 (1200)	6	5	1650 (750) ²	1900 (850)

¹ Height of standard load backrest is 48" (1220 mm).

² TSDR only.

³ QFV mast has 36"-wide ITA Class II hook carriage.

Attachment capacities (including sideshifters) are located in Section 6.1 - Lifting Capacities for Options.

MAST SPECIFICATIONS

MAST TYPE	MAXIMUM FORK HEIGHT (TOP OF FORKS)	OVERALL HEIGHT			FREE-LIFT		TILT RANGE		LOAD CAPACITY AT 24 IN. (610 MM) LOAD CENTER	
		LOWERED	EXTENDED		WITHOUT LOAD BACKREST	WITH STANDARD LOAD BACKREST	FWD	BWD	NARROW TREAD	WIDE TREAD
			WITHOUT LOAD BACKREST	WITH STANDARD LOAD BACKREST ¹						
in (mm)										
8F6CU32										
Wide Visible (V)	80.5 (2045)	57.5 (1460)	107.9 (2740)	128.5 (3265)	5.3 (135)	5.3 (135)	6	8	6500 (3000)	6500 (3000)
	119.5 (3045)	77.2 (1960)	147.2 (3740)	167.9 (4265)	5.3 (135)	5.3 (135)	6	10	6500 (3000)	6500 (3000)
	131.5 (3345)	83.1 (2110)	159.1 (4040)	179.7 (4565)	5.3 (135)	5.3 (135)	6	10	6500 (3000)	6500 (3000)
	139.5 (3545)	87 (2210)	166.9 (4240)	187.6 (4765)	5.3 (135)	5.3 (135)	6	10	6500 (3000)	6500 (3000)
	147 (3745)	93.3 (2370)	174.8 (4440)	195.5 (4965)	5.3 (135)	5.3 (135)	6	10	6500 (3000)	6500 (3000)
Full Free-Lift 2-Stage (FV)	159 (4045)	100.8 (2560)	184.8 (4740)	207.3 (5265)	5.3 (135)	5.3 (135)	6	10	6500 (3000)	6500 (3000)
	119.5 (3045)	77.2 (1960)	147 (3735)	167.8 (4265)	50.4 (1270)	29.2 (740)	6	10	6500 (3000)	6500 (3000)
	131.5 (3345)	83.1 (2110)	158.8 (4035)	179.7 (4565)	56.3 (1420)	35.1 (890)	6	10	6500 (3000)	6500 (3000)
Full Free-Lift 3-Stage (FSV)	139.5 (3545)	87 (2210)	166.7 (4235)	187.5 (4765)	60.2 (1520)	39.1 (990)	6	10	6500 (3000)	6500 (3000)
	159 (4045)	77.2 (1960)	186.3 (4735)	207.2 (5265)	50.1 (1270)	29.2 (740)	6	5	6500 (3000)	6500 (3000)
	171 (4345)	83.1 (2110)	198.2 (5035)	219 (5565)	56 (1420)	35.1 (890)	6	5	6500 (3000)	6500 (3000)
	187 (4750)	87 (2210)	213.9 (5435)	234.8 (5965)	59.9 (1520)	39.1 (990)	6	5	6500 (3000)	6500 (3000)
	198.5 (5045)	93.3 (2370)	225.7 (5735)	246.6 (6265)	66.2 (1680)	45.4 (1150)	6	5	6500 (2950)	6500 (2950)
	218 (5545)	100.8 (2560)	245.4 (6235)	266.3 (6765)	73.7 (1870)	52.8 (1340)	6	5	5050 (2350)	6150 (2800)
Full Free-Lift 4-Stage (QFV) ³	237.5 (6045)	110.6 (2810)	265.1 (6735)	285.9 (7265)	83.5 (2120)	62.7 (1590)	6	5	3500 (1600)	4850 (2200)
	241.5 (6135)	83.1 (2110)	262.6 (6670)	289.6 (7355)	62.1 (1575)	35 (890)	6	5	3750 (1700) ²	4200 (1900)
	259.5 (6595)	89 (2260)	280.7 (7130)	307.7 (7815)	68 (1725)	40.9 (1040)	6	5	2500 (1100) ²	3150 (1400)
	278 (7055)	95.3 (2420)	298.8 (7590)	325.8 (8275)	74.3 (1885)	47.2 (1200)	6	5	1400 (600) ²	1800 (800)

¹ Height of standard load backrest is 48" (1220 mm).

² TSDR only.

³ QFV mast has 36"-wide ITA Class II hook carriage.

Attachment capacities (including sideshifters) are located in Section 6.1 - Lifting Capacities for Options.



TOYOTA

TOYOTA

TOYOTA

RETURN TO TRUCK

WING STORAGE

EMPTY TOTES

Some product features described herein are optional. Please consult your dealer for specifications.
Details of specifications and equipment are based on information available at time of printing and may change without notice.



INDUSTRIAL EQUIPMENT

REACH NEW HEIGHTS

007228FGC1532USS

©2016 Toyota Material Handling, U.S.A., Inc.