

# LARGE IC CUSHION



INDUSTRIAL EQUIPMENT

REACH NEW HEIGHTS

8000 - 15500 LBS.

SPECIFICATIONS



8FGC35U-70U

CLASS  
4

INTERNAL COMBUSTION ENGINE CUSHION TIRE

[ToyotaForklift.com](http://ToyotaForklift.com)



## LARGE IC CUSHION

### CAPACITY

**8000 - 15500 LBS.**

### WHEELBASE

**61.8 - 74.2 IN.**

### LOAD CENTER

**24 IN.**

#### INDUSTRIES



Distribution



Factory



General  
Manufacturing



General  
Warehousing



Lumber



Paper



Retail

## STANDARD FEATURES

### DURABILITY

- Control Area Network (CAN-bus) communication
- Fully stamped steel side panels
- Full-floating front axle
- Moisture-resistant electric connectors
- High cooling capacity radiator
- Low-maintenance battery
- Large-capacity engine-cooling fan
- 8" cyclone air cleaner
- Plate-iron front fenders
- Anti-restart ignition key switch
- Stamped steel engine hood
- External hydraulic oil cooler
- Halogen headlights

### SAFETY

- System of Active Stability™ (SAS)
- Operator Presence Sensing System (OPSS)
- Bolt-on overhead guard
- Key lowering interlock
- Electric horn
- Neutral start safety switch
- Asbestos-free components

### PERFORMANCE

- EPA/CARB-certified engine
- Toyota 4-cylinder, 3.7 liter, OHV engine (1FS)
- Distributorless ignition system
- Limited free-lift 2-stage mast (V)
- Adjustable headlights with guards
- Double-action parking brake (hand)
- Alternator with built-in regulator (60A)
- Integrated monitoring system – includes:
  - Digital hour meter display
  - Engine coolant temperature gauge
  - Check engine light
  - Engine oil pressure warning light
  - Battery charge warning light
  - OPSS activation light
- Automatic transmission with oil cooler
- Full-floating powertrain
- Hydraulic valve lifters
- Integrated headlight & turn signal lever
- Electric shift control
- Engine protection system
- Travel speed/acceleration control system

### ERGONOMICS

- Dash-mounted instrument display
- 11.8"-dia. two-spoke steering wheel
- Load-sensing power steering
- Cowl-mounted hydraulic control levers with rubber boot covers
- 12"-long dual operator assist grips
- Low, wide entry steps
- Dash-integrated amenity tray & oversized cup holder
- Slim profile, tilt steering column
- Low-profile front cowl
- Vinyl 4-way adjustable full-suspension seat
- Heavy-duty non-slip floor mat
- Non-cinching seatbelt

### SERVICEABILITY

- Easy-access no tools required floorboard
- Engine hood assist damper with lock device
- Air cleaner discharge valve
- Easy-lift engine hood with wide 75° opening
- Easy access to common service items such as filter & diagnostics

## OPTIONAL EQUIPMENT

- Multifunction digital display with self-diagnostics & engine protection system
- Hydraulic accumulator
- Intelli-Shift
- Mini-lever controls with ErgoShift
- Synchronized steering
- Combination brake & inching pedal
- EZ Pedal (foot directional control)
- Steering wheel with knob
- Front combination lights
- High-mount rear combination lights
- Strobe lights
- LED front headlights
- LED rear combination lights
- LED rear work light
- LED reverse-activated rear work light
- Cloth 4-way adjustable full-suspension seat
- Swivel seat
- Orange seatbelt
- Box fin radiator
- Fire extinguisher
- 2-stage (FV) & 3-stage (FSV) full free-lift masts
- Hang-on sidershifters
- Polished & tapered forks
- Pre-cleaner for air intake
- Rearview mirrors
- Rear assist grip with horn button
- Back up alarms
- 12-Volt power supply
- 5-way hydraulics
- Boxcar Special counterweight
- Paper Roll Special counterweight
- Hydraulic valve for clamping attachments



## TRUCK SPECIFICATIONS

				MODEL NUMBERS			
GENERAL DATA				8FGC35U	8FGC45U	8FGC55U	
Load Capacity		lb (kg)		8000 (3500)	10000 (4500)	12000 (5500)	
Power Type				LPG	LPG	LPG	
Operator Position				Seated Rider	Seated Rider	Seated Rider	
Tire Type		Front / Rear		Cushion / Cushion	Cushion / Cushion	Cushion / Cushion	
Wheels (x = driven)		Front / Rear		2x / 2	2x / 2	2x / 2	
EXTERIOR DIMENSIONS				8FGC35U	8FGC45U	8FGC55U	
<b>A</b>	Maximum Fork Height (top of forks)		in (mm)	120 (3050)	120 (3050)	120.5 (3060)	
<b>B</b>	Free-Lift (top of forks)		in (mm)	4.3 (110)	4.3 (110)	4.7 (120)	
<b>C</b>	Fork Size (T x W x L)		in (mm)	2 x 6 x 42 (50 x 150 x 1070)	2 x 6 x 42 (50 x 150 x 1070)	2.4 x 6 x 48 (60 x 150 x 1220)	
<b>D</b>	Fork Spread Max. / Min. (outer edge to edge)		in (mm)	45.7 / 11.8 (1160 / 300)	45.7 / 11.8 (1160 / 300)	46.1 / 11.8 (1170 / 300)	
<b>E</b>	Tilt Range (forward / backward)		deg	5 / 6	5 / 6	5 / 6	
<b>F</b>	Length to Fork Face		in (mm)	103.3 (2625)	107.1 (2720)	112.6 (2860)	
<b>G</b>	Overall Width		in (mm)	50 (1270)	55.9 (1420)	55.9 (1420)	
<b>H</b>	Mast Lowered Height		in (mm)	81.1 (2060)	83 (2110)	86.6 (2200)	
<b>I</b>	Mast Extended Height (top of load backrest)		in (mm)	168.1 (4270)	168.1 (4270)	174.6 (4435)	
<b>J</b>	Overhead Guard Height		in (mm)	83.5 (2120)	83.5 (2120)	83.5 (2120)	
<b>K</b>	Turning Radius (inside / outside)		in (mm)	90 (2280)	94 (2390)	99.5 (2530)	
<b>L</b>	Load Distance <sup>1</sup>		in (mm)	17.7 (450)	18.1 (460)	18.5 (470)	
<b>M</b>	Basic Right-Angle Stacking Aisle Width		in (mm)	107.5 (2730)	112 (2850)	118 (3000)	
PERFORMANCE DATA				8FGC35U	8FGC45U	8FGC55U	
Speeds	Maximum Travel (forward / reverse)	Full Load	mph (km/h)	11.8 (19.0) / 11.8 (19.0)	11.8 (19.0) / 11.8 (19.0)	13.0 (21.0) / 13.0 (21.0)	
		No Load	mph (km/h)	11.8 (19.0) / 11.8 (19.0)	11.8 (19.0) / 11.8 (19.0)	13.0 (21.0) / 13.0 (21.0)	
	Lifting	Full Load	fpm (mm/sec)	100 (510)	98 (500)	91 (460)	
		No Load	fpm (mm/sec)	108 (550)	100 (510)	94 (480)	
	Lowering	Full Load	fpm (mm/sec)	104 (530)	106 (540)	106 (540)	
		No Load	fpm (mm/sec)	94 (480)	96 (490)	96 (490)	
Drawbar Pull	Maximum	Full Load	lb (kg)	9900 (4500)	9900 (4500)	9900 (4500)	
		No Load	lb (kg)	2580 (1170)	2460 (1110)	3160 (1430)	
Gradeability	1 mph (1.5 km/h) <sup>1</sup>	Full Load	%	37	30	25	
		Maximum <sup>1</sup>	Full Load	%	47	37	34
			No Load	%	19	15	18
TRUCK WEIGHTS				8FGC35U	8FGC45U	8FGC55U	
Total Weight		lb (kg)		12640 (5730)	14510 (6580)	16250 (7370)	
Weight Distribution	Full Load (front / rear)		lb (kg)	17990 (7920) / 2650 (1310)	21240 (9550) / 3270 (1530)	24790 (11310) / 3460 (1560)	
	No Load (front / rear)		lb (kg)	4590 (2080) / 8050 (3650)	4430 (2010) / 10080 (4570)	5560 (2520) / 10690 (4850)	
TIRES				8FGC35U	8FGC45U	8FGC55U	
Tires	Number (front / rear)			2 / 2	2 / 2	2 / 2	
	Size	Front		22 x 9 x 16	22 x 12 x 16	22 x 12 x 16	
		Rear		18 x 6 x 12-1/8	18 x 7 x 12-1/8	18 x 8 x 12-1/8	
Wheelbase		in (mm)		61.8 (1570)	61.8 (1570)	70.5 (1790)	
Tread Width (front / rear)		in (mm)		40.9 (1040) / 41.4 (1050)	43.9 (1115) / 42.4 (1080)	43.9 (1115) / 43.5 (1105)	
Underclearance (full load)	Minimum with Load		in (mm)	3.3 (85)	3.3 (85)	3.3 (85)	
	Center of Wheelbase		in (mm)	5.7 (145)	5.7 (145)	5.7 (145)	
Brake	Service (foot) / Parking			Hydraulic / Hand	Hydraulic / Hand	Hydraulic / Hand	
POWER SYSTEM				8FGC35U	8FGC45U	8FGC55U	
Battery (5-hour rating)		V / Ah		12 / 48	12 / 48	12 / 48	
Internal Combustion Engine	Make / Model			TOYOTA 1FS	TOYOTA 1FS	TOYOTA 1FS	
	Rated Horsepower @ rpm	SAE HP		84 @ 2350	84 @ 2350	89 @ 2550	
		(kW)		(63 @ 2350)	(63 @ 2350)	(66 @ 2550)	
	Rated Torque @ rpm	SAE ft-lb		210 @ 1200 - 1400	210 @ 1200 - 1400	210 @ 1200 - 1400	
		(N-m)		(290 @ 1200 - 1400)	(290 @ 1200 - 1400)	(290 @ 1200 - 1400)	
	Number of Cylinders				4	4	4
Piston Displacement		cu in (cc)		224 (3685)	224 (3685)	224 (3685)	
Fuel Tank Capacity		US gal (liter)		—	—	—	
Transmission	Type			Automatic	Automatic	Automatic	
	Speeds (forward / reverse)			1 / 1	1 / 1	1 / 1	
Auxiliary Hydraulic Function Specifications (for attachments) <sup>2</sup>	Max. Operating Pressure		psi (kg/cm <sup>2</sup> )	2630 (185)	2630 (185)	2630 (185)	
	Max. Flow Rate		gpm (lpm)	33.8 (128)	33.8 (128)	33.8 (128)	

<sup>1</sup> Computed values. Performance of LPG fuel system may be less than performance of standard model shown.

<sup>2</sup> Values taken at Hydraulic Control Valve. Does not take in to consideration losses through mast plumbing (hosing, fittings, QDs, etc.).



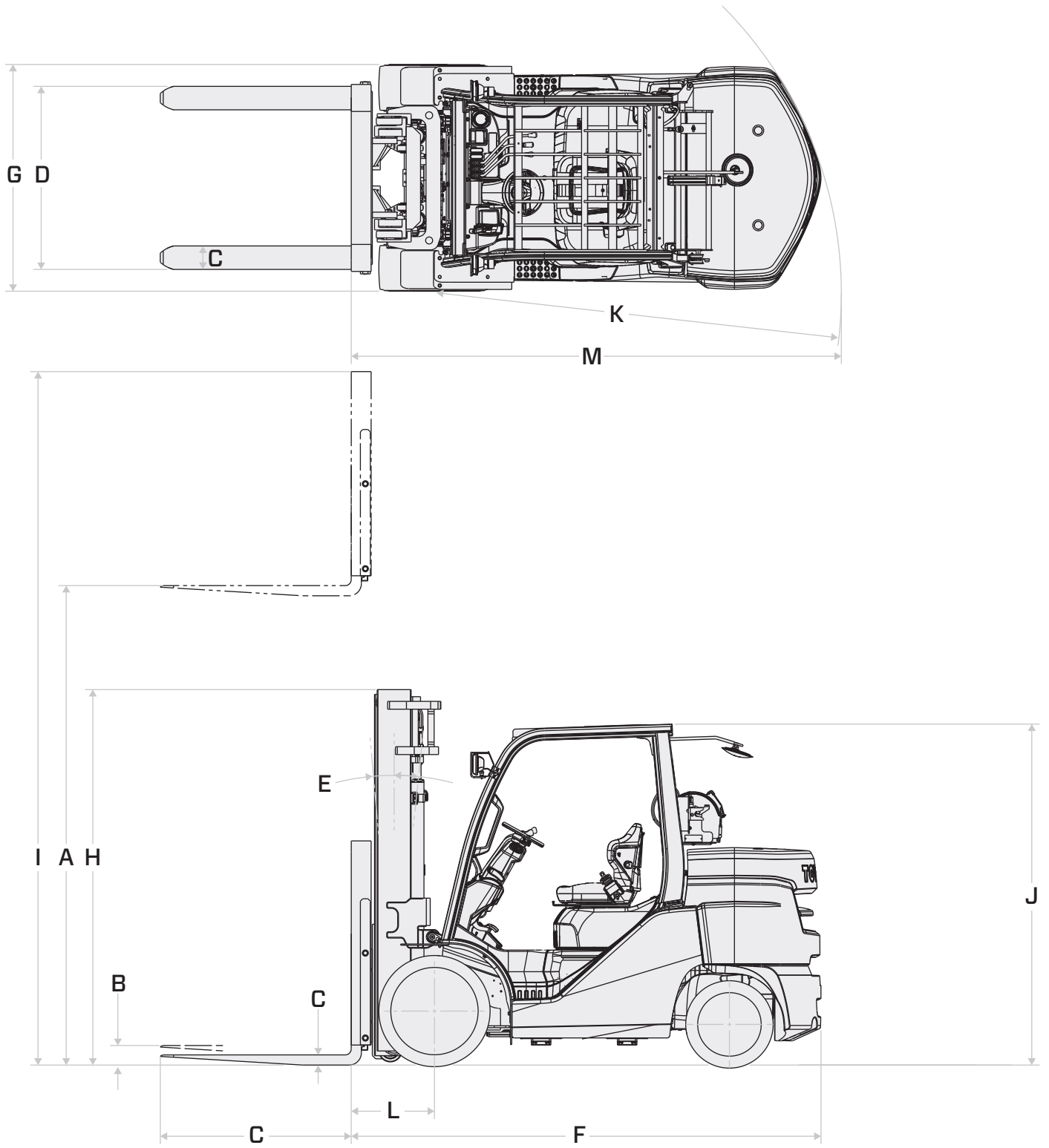
MODEL NUMBERS

GENERAL DATA				8FGC60U	8FGC70U	
Load Capacity		lb (kg)		13500 (6000)	15500 (7000)	
Power Type				LPG	LPG	
Operator Position				Seated Rider	Seated Rider	
Tire Type		Front / Rear		Cushion / Cushion	Cushion / Cushion	
Wheels (x = driven)		Front / Rear		2x / 2	2x / 2	
EXTERIOR DIMENSIONS				8FGC60U	8FGC70U	
<b>A</b>	Maximum Fork Height (top of forks)		in (mm)	120.5 (3060)	120.6 (3065)	
<b>B</b>	Free-Lift (top of forks)		in (mm)	4.9 (125)	4.9 (125)	
<b>C</b>	Fork Size (T x W x L)		in (mm)	2.4 x 6 x 48 (60 x 150 x 1220)	2.6 x 6 x 48 (65 x 150 x 1220)	
<b>D</b>	Fork Spread Max. / Min. (outer edge to edge)		in (mm)	46.1 / 11.8 (1170 / 300)	46.1 / 11.8 (1170 / 300)	
<b>E</b>	Tilt Range (forward / backward)		deg	5 / 6	5 / 6	
<b>F</b>	Length to Fork Face		in (mm)	118.1 (3000)	118.1 (3000)	
<b>G</b>	Overall Width		in (mm)	57.1 (1450)	57.1 (1450)	
<b>H</b>	Mast Lowered Height		in (mm)	94.5 (2400)	94.5 (2400)	
<b>I</b>	Mast Extended Height (top of load backrest)		in (mm)	174.6 (4435)	174.6 (4435)	
<b>J</b>	Overhead Guard Height		in (mm)	86 (2185)	86 (2185)	
<b>K</b>	Turning Radius (inside / outside)		in (mm)	102 (2590)	102 (2590)	
<b>L</b>	Load Distance <sup>1</sup>		in (mm)	20.9 (530)	20.9 (530)	
<b>M</b>	Basic Right-Angle Stacking Aisle Width		in (mm)	123 (3120)	123 (3120)	
PERFORMANCE DATA				8FGC60U	8FGC70U	
Speeds	Maximum Travel (forward / reverse)	Full Load	mph (km/h)	13.0 (21.0) / 13.0 (21.0)	13.0 (21.0) / 13.0 (21.0)	
		No Load	mph (km/h)	13.0 (21.0) / 13.0 (21.0)	13.0 (21.0) / 13.0 (21.0)	
	Lifting	Full Load	fpm (mm/sec)	81 (410)	81 (410)	
		No Load	fpm (mm/sec)	87 (440)	87 (440)	
	Lowering	Full Load	fpm (mm/sec)	104 (530)	104 (530)	
		No Load	fpm (mm/sec)	94 (480)	94 (480)	
Drawbar Pull	Maximum	Full Load	lb (kg)	9900 (4500)	9900 (4500)	
		No Load	lb (kg)	4160 (1890)	4100 (1860)	
Gradeability	1 mph (1.5km/h) <sup>1</sup>	Full Load	%	23	20	
		Full Load	%	31	28	
	Maximum <sup>1</sup>	No Load	%	20	18	
TRUCK WEIGHTS				8FGC60U	8FGC70U	
Total Weight		lb (kg)		19070 (8650)	20490 (9290)	
Weight Distribution	Full Load (front / rear)		lb (kg)	28970 (12910) / 3600 (1740)	32150 (14500) / 3840 (1790)	
	No Load (front / rear)		lb (kg)	7300 (3310) / 11770 (5340)	7260 (3290) / 13230 (6000)	
TIRES				8FGC60U	8FGC70U	
Tires	Number (front / rear)			36193	36193	
	Size	Front		28 x 12 x 22	28 x 12 x 22	
		Rear		22 x 8 x 16	22 x 8 x 16	
Wheelbase		in (mm)		74.2 (1885)	74.2 (1885)	
Tread Width (front / rear)		in (mm)		45.1 (1145) / 42.9 (1090)	45.1 (1145) / 42.9 (1090)	
Underclearance (full load)	Minimum with Load		in (mm)	3.3 (85)	3.3 (85)	
	Center of Wheelbase		in (mm)	7.1 (180)	7.1 (180)	
Brake	Service (foot) / Parking			Hydraulic / Hand	Hydraulic / Hand	
POWER SYSTEM				8FGC60U	8FGC70U	
Battery (5-hour rating)		V / Ah		12 / 48	12 / 48	
Internal Combustion Engine	Make / Model			TOYOTA 1FS	TOYOTA 1FS	
	Rated Horsepower @ rpm	SAE HP		89 @ 2550	89 @ 2550	
		(kW)		(66 @ 2550)	(66 @ 2550)	
	Rated Torque @ rpm	SAE ft-lb		210 @ 1200 - 1400	210 @ 1200 - 1400	
		(N-m)		(290 @ 1200 - 1400)	(290 @ 1200 - 1400)	
	Number of Cylinders				4	4
	Piston Displacement		cu in (cc)		224 (3685)	224 (3685)
Fuel Tank Capacity		US gal (liter)		—	—	
Transmission	Type			Automatic	Automatic	
	Speeds (forward / reverse)			1 / 1	1 / 1	
Auxiliary Hydraulic Function Specifications (for attachments) <sup>2</sup>	Max. Operating Pressure		psi (kg/cm <sup>2</sup> )	2990 (210)	2990 (210)	
	Max. Flow Rate		gpm (lpm)	33.8 (128)	33.8 (128)	

<sup>1</sup> Computed values. Performance of LPG fuel system may be less than performance of standard model shown.

<sup>2</sup> Vaules taken at Hydraulic Control Valve. Does not take into consideration losses through mast plumbing (hosing, fittings, QDs, etc.).

EXTERIOR DIMENSIONS









## MAST SPECIFICATIONS

MAST TYPE	MAXIMUM FORK HEIGHT (TOP OF FORKS)	OVERALL HEIGHT			FREE-LIFT		TILT RANGE		LOAD CAPACITY AT 24 IN. (610 MM) LOAD CENTER	
		LOWERED	EXTENDED		WITHOUT LOAD BACKREST	WITH STANDARD LOAD BACKREST	FWD	BWD	STANDARD TREAD	WIDE TREAD
			WITHOUT LOAD BACKREST	WITH STANDARD LOAD BACKREST <sup>1</sup>						
in (mm)										
<b>8FGC35U</b>										
Wide Visible (V)	120 (3050)	81.1 (2060)	149.6 (3800)	168.1 (4270)	4.3 (110)	4.3 (110)	5	6	8000 (3500)	8000 (3500)
	132 (3350)	88.2 (2240)	161.4 (4100)	179.9 (4570)	4.3 (110)	4.3 (110)	5	6	8000 (3500)	8000 (3500)
	147.5 (3750)	96.1 (2440)	177.2 (4500)	195.7 (4970)	4.3 (110)	4.3 (110)	5	6	8000 (3500)	8000 (3500)
Full Free-Lift 2-Stage (FV)	120 (3050)	81.1 (2060)	150.8 (3830)	168.1 (4270)	50.4 (1280)	33.1 (840)	5	6	8000 (3500)	8000 (3500)
	132 (3350)	88.2 (2240)	162.6 (4130)	179.9 (4570)	57.5 (1460)	40.2 (1020)	5	6	8000 (3500)	8000 (3500)
Full Free-Lift 3-Stage (FSV) <sup>2</sup>	159.5 (4050)	81.1 (2060)	190.9 (4850)	207.5 (5270)	49.6 (1260)	33.1 (840)	5	5	8000 (3500)	8000 (3500)
	171.5 (4350)	83.1 (2110)	202.8 (5150)	219.3 (5570)	51.6 (1310)	35.0 (890)	5	5	8000 (3500)	8000 (3500)
	187 (4750)	88.2 (2240)	218.5 (5550)	235.0 (5970)	56.7 (1440)	40.2 (1020)	5	5	8000 (3500)	8000 (3500)
	199 (5050)	92.1 (2340)	230.3 (5850)	246.9 (6270)	60.6 (1540)	44.1 (1120)	5	5	7730 (3500)	7730 (3500)
	218.5 (5550)	98.0 (2490)	250.0 (6350)	266.5 (6770)	66.5 (1690)	50.0 (1270)	5	5	7470 (3400)	7470 (3400)
238 (6050)	105.9 (2690)	269.7 (6850)	286.2 (7270)	74.4 (1890)	57.9 (1470)	5	5	N/A	6500 (2950)	

MAST TYPE	MAXIMUM FORK HEIGHT (TOP OF FORKS)	OVERALL HEIGHT			FREE-LIFT		TILT RANGE		LOAD CAPACITY AT 24 IN. (610 MM) LOAD CENTER
		LOWERED	EXTENDED		WITHOUT LOAD BACKREST	WITH STANDARD LOAD BACKREST	FWD	BWD	WIDE TREAD
			WITHOUT LOAD BACKREST	WITH STANDARD LOAD BACKREST <sup>1</sup>					
in (mm)									
<b>8FGC45U</b>									
Wide Visible (V)	120 (3050)	83.1 (2110)	152.0 (3860)	168.1 (4270)	4.3 (110)	4.3 (110)	5	6	10000 (4500)
	132 (3350)	92.1 (2340)	163.8 (4160)	179.9 (4570)	4.3 (110)	4.3 (110)	5	6	10000 (4500)
	147.5 (3750)	100.0 (2540)	179.5 (4560)	195.7 (4970)	4.3 (110)	4.3 (110)	5	6	10000 (4500)
Full Free-Lift 2-Stage (FV)	120 (3050)	83.1 (2110)	152.2 (3865)	168.1 (4270)	51.0 (1295)	35.0 (890)	5	6	10000 (4500)
	132 (3350)	92.1 (2340)	164.0 (4165)	179.9 (4570)	60.0 (1525)	44.1 (1120)	5	6	10000 (4500)
Full Free-Lift 3-Stage (FSV)	159.5 (4050)	81.1 (2060)	191.5 (4865)	207.5 (5270)	49.0 (1245)	33.1 (840)	5	5	10000 (4500)
	171.5 (4350)	85.6 (2175)	203.4 (5165)	219.3 (5570)	53.5 (1360)	37.6 (955)	5	5	10000 (4500)
	187 (4750)	92.1 (2340)	219.1 (5565)	235.0 (5970)	60.0 (1525)	44.1 (1120)	5	5	10000 (4500)
	199 (5050)	98.0 (2490)	230.9 (5865)	246.9 (6270)	65.9 (1675)	50.0 (1270)	5	5	10000 (4500)
	218.5 (5550)	105.9 (2690)	250.6 (6365)	266.5 (6770)	73.8 (1875)	57.9 (1470)	5	5	9650 (4370)
238 (6050)	115.8 (2940)	270.3 (6865)	286.2 (7270)	83.7 (2125)	67.7 (1720)	5	5	8820 (4000)	

<sup>1</sup> Height of standard load backrest is 48" (1220 mm).  
<sup>2</sup> 238 FSV requires wide tread.



MAST TYPE	MAXIMUM FORK HEIGHT (TOP OF FORKS)	OVERALL HEIGHT			FREE-LIFT		TILT RANGE		LOAD CAPACITY AT 24 IN. (610 MM) LOAD CENTER
		LOWERED	EXTENDED		WITHOUT LOAD BACKREST	WITH STANDARD LOAD BACKREST	FWD	BWD	WIDE TREAD
			WITHOUT LOAD BACKREST	WITH STANDARD LOAD BACKREST <sup>1</sup>					
in (mm)									
<b>8FGC55U</b>									
Wide Visible (V)	120.5 (3060)	86.6 (2200)	152.8 (3880)	174.6 (4435)	4.7 (120)	4.7 (120)	5	6	12000 (5500)
	132.5 (3360)	92.5 (2350)	164.6 (4180)	186.4 (4735)	4.7 (120)	4.7 (120)	5	6	12000 (5500)
	148 (3760)	102.4 (2600)	180.3 (4580)	202.2 (5135)	4.7 (120)	4.7 (120)	5	6	12000 (5500)
Full Free-Lift 3-Stage (FSV)	160 (4060)	81.1 (2060)	191.9 (4875)	214.0 (5435)	45.7 (1160)	27.2 (690)	5	6	12000 (5500)
	171.5 (4360)	85.6 (2175)	203.7 (5175)	225.8 (5735)	50.2 (1275)	31.7 (805)	5	6	12000 (5500)
	187.5 (4760)	92.1 (2340)	219.4 (5573)	241.5 (6135)	56.7 (1440)	38.2 (970)	5	6	12000 (5500)
	199 (5060)	98.0 (2490)	231.3 (5875)	253.4 (6435)	62.6 (1590)	44.1 (1120)	5	6	11800 (5350)
	211 (5360)	99.6 (2530)	243.1 (6175)	265.2 (6735)	64.2 (1630)	45.7 (1160)	5	6	11500 (5200)
	219 (5560)	102.4 (2600)	251.0 (6375)	273.0 (6935)	66.9 (1700)	48.4 (1230)	5	6	11500 (5200)
	238.5 (6060)	115.8 (2940)	270.7 (6875)	292.7 (7435)	80.3 (2040)	61.8 (1570)	5	6	11150 (5050)

MAST TYPE	MAXIMUM FORK HEIGHT (TOP OF FORKS)	OVERALL HEIGHT			FREE-LIFT		TILT RANGE		LOAD CAPACITY AT 24 IN. (610 MM) LOAD CENTER
		LOWERED	EXTENDED		WITHOUT LOAD BACKREST	WITH STANDARD LOAD BACKREST	FWD	BWD	WIDE TREAD
			WITHOUT LOAD BACKREST	WITH STANDARD LOAD BACKREST <sup>1</sup>					
in (mm)									
<b>8FGC60U</b>									
Wide Visible (V)	120.5 (3065)	94.5 (2400)	154.3 (3920)	174.6 (4435)	4.9 (125)	4.9 (125)	5	6	13500 (6000)
	132.5 (3365)	100.4 (2550)	166.1 (4220)	186.4 (4735)	4.9 (125)	4.9 (125)	5	6	13500 (6000)
	148 (3765)	108.3 (2750)	181.9 (4620)	202.2 (5135)	4.9 (125)	4.9 (125)	5	6	13500 (6000)
Full Free-Lift 3-Stage (FSV)	160 (4065)	90.6 (2300)	194.5 (4940)	214.0 (5435)	56.1 (1425)	36.6 (930)	5	6	13500 (6000)
	172 (4365)	94.5 (2400)	206.3 (5240)	225.8 (5735)	60.0 (1525)	40.6 (1030)	5	6	13500 (6000)
	187.5 (4765)	98.0 (2490)	222.1 (5640)	241.5 (6135)	63.6 (1615)	44.1 (1120)	5	6	13300 (6000)
	199.5 (5065)	108.3 (2750)	233.9 (5940)	253.4 (6435)	73.8 (1875)	54.3 (1380)	5	6	13100 (5940)
	219 (5565)	118.1 (3000)	253.5 (6440)	273.0 (6935)	83.7 (2125)	64.2 (1630)	5	6	12750 (5780)
		239 (6065)	120.1 (3050)	273.2 (6940)	292.7 (7435)	85.6 (2175)	66.1 (1680)	5	6

<sup>1</sup> Height of standard load backrest is 54" (1370 mm).

## MAST SPECIFICATIONS

MAST TYPE	MAXIMUM FORK HEIGHT (TOP OF FORKS)	OVERALL HEIGHT				FREE-LIFT		TILT RANGE		LOAD CAPACITY AT 24 IN. (610 MM) LOAD CENTER
		LOWERED	EXTENDED		WITHOUT LOAD BACKREST	WITH STANDARD LOAD BACKREST	FWD	BWD	WIDE TREAD	
			WITHOUT LOAD BACKREST	WITH STANDARD LOAD BACKREST <sup>1</sup>						in (mm)
	in (mm)	in (mm)	in (mm)	in (mm)	in (mm)	in (mm)	deg	deg	lb (kg)	
<b>8FGC70U</b>										
Wide Visible (V)	120.6 (3065)	94.5 (2400)	154.3 (3920)	174.6 (4435)	4.9 (125)	4.9 (125)	5	6	15500 (7000)	
	132.5 (3365)	100.4 (2550)	166.1 (4220)	186.4 (4735)	4.9 (125)	4.9 (125)	5	6	15500 (7000)	
	148 (3765)	108.3 (2750)	181.9 (4620)	202.2 (5135)	4.9 (125)	4.9 (125)	5	6	15500 (7000)	
Full Free-Lift 3-Stage (FSV)	160 (4065)	90.6 (2300)	194.5 (4940)	214.0 (5435)	56.1 (1425)	36.6 (930)	5	6	15350 (6960)	
	172 (4365)	94.5 (2400)	206.3 (5240)	225.8 (5735)	60.0 (1525)	40.6 (1030)	5	6	15350 (6960)	
	187.5 (4765)	98.0 (2490)	222.1 (5640)	241.5 (6135)	63.6 (1615)	44.1 (1120)	5	6	15000 (6800)	
	199.5 (5065)	108.3 (2750)	233.9 (5940)	253.4 (6435)	73.8 (1875)	54.3 (1380)	5	6	14700 (6660)	
	219 (5565)	118.1 (3000)	253.5 (6440)	273.0 (6935)	83.7 (2125)	64.2 (1630)	5	6	14300 (6480)	
	239 (6065)	120.1 (3050)	273.2 (6940)	292.7 (7435)	85.6 (2175)	66.1 (1680)	5	6	13900 (6300)	

<sup>1</sup> Height of standard load backrest is 54" (1370 mm).







Some product features described herein are optional. Please consult your dealer for specifications.  
Details of specifications and equipment are based on information available at time of printing and may change without notice.



**INDUSTRIAL EQUIPMENT**

**REACH NEW HEIGHTS**

007228FGC3570SS

©2016 Toyota Material Handling, U.S.A., Inc.